

FOTILE

A BREATH OF FRESH ENGINEERING®



Model: EMS9018



Model: EMG9030



Sold in over **20** countries around the world, and chosen by **10,000+** families daily



Serving the U.S. market for **7** years



3,500 service technicians in the U.S.



Earned **4,500** kitchen appliance patents including over **700** invention patents



Member of HVI, the most authoritative and credible institution in North America

PERIMETER VENT SERIES RANGE HOODS



Intelligent Self-Adjusting *

Auto-adjusts speed and height settings based on the volume of smoke and odors in your kitchen



High-Powered DC Motor *

Powerful smoke extraction and smooth ventilation



Capture Shield Technology

Extracts smoke quickly and prevents it from escaping



Intelligent Air Management *

Automatically detects harmful gases and exhausts them out



98% Odor Reduction Rate
(97% for EMS9018)

92% Grease Separation Rate

* EMG9030 Only

INDUSTRY LEADING WARRANTY:

PARTS	5-YEAR (LIMITED)
LABOR	2-YEAR
MOTOR	LIFETIME GUARANTEE (LABOR NOT INCLUDED)

Toll Free: 888-315-0366
Address: 6 Campus Dr, Suite 210,
Parsippany, NJ 07054

Official Website: us.fotileglobal.com
Email: serviceusa@fotile.com



WeChat Service



YouTube



fotile_usa

FOTILE

A BREATH OF FRESH ENGINEERING®



	EMG9030 Capture Shield Tech Intelligent Self-Adjusting	EMS9018 Capture Shield Tech Auto Turbo System
Width	36in	36in
MSRP	\$2,629	\$1,499
Motor	DC Motor	AC Motor
Max. EQUIV. CFM	1100	900
Max. Static Pressure	720Pa	400Pa
Operation	Touch Screen	Touch Screen
Number of Speed Settings	4 w/ Auto Turbo Mode	2 + Auto Turbo Mode
Capture Shield	Fixed / Intelligent Self-Adjusting	Fixed
Delay Shutoff	2/5/10 min.	2 min.
Min. Noise Level	40dB	43dB
Impeller	Patented Bio-Impeller	Durable Metal Impeller
Auto Turbo Mode	Y	Y
Intelligent Air Management System	Y	N

5-year limited warranty 2-year full warranty. 5-year limited warranty on all parts. Lifetime warranty on motor.

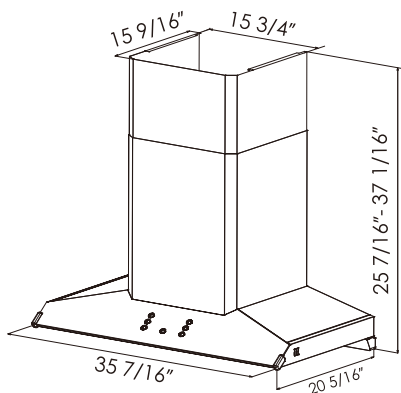


EMG9030

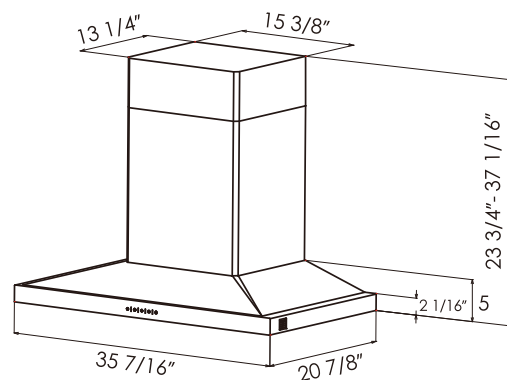


EMS9018

Unit: in



▲ EMG9030 Product Dimensions



▲ EMS9018 Product Dimensions