

FOTILE

CONVECTION OVEN

Uniform Temperature for Accurate Cooking



10 Preset Cooking Modes for Ease of Use

- Grilling
- Baking
- Proofing
- Defrosting
- And Much More

Uniform Temperature for Accurate Cooking

- Five Heating Tubes
- 3D-Hot-Air Circulation System
- Platinum-Alloy Temperature Sensor

Professional Grade Glass Door

- Prevents Heat Loss from the oven
- Prevents heat transfer to the door handle for safe handling



FOTILE

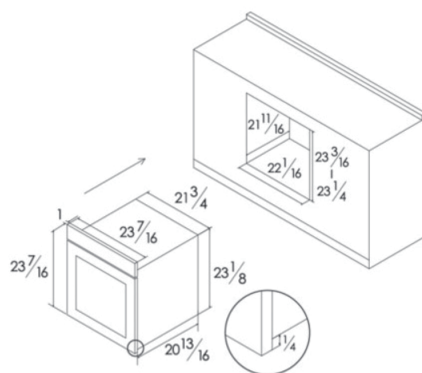
CONVECTION OVEN

Uniform Temperature for Accurate Cooking

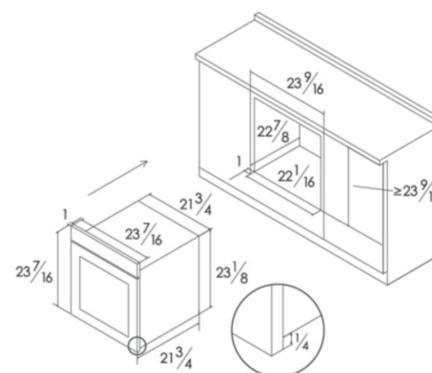


Model	KSS7002A	KSG7003A
Certification	ETL	ETL
Product Dimensions (WxHxD)(inch)	23 7/16 x 23 7/16 x 21 3/4	23 7/16 x 23 7/16 x 21 3/4
Built-in Dimensions (WxHxD)(inch)	Standard Built-in 22 1/16 x 23 1/4 x (≥21 11/16) Flush Built-in 23 9/16 x 23 9/16 x (≥22 13/16)	Standard Built-In 22 1/16 x 23 1/4 x (≥21 11/16) Flush Built-In 23 9/16 x 23 9/16 x (≥22 13/16)
Operation	Touchscreen	Touchscreen
Capacity (cu. ft.)	2.47	2.47
Power (W)	3800	3800
Preset Modes	10	10
Temperature Range (°F)	104 - 482	104 - 482
Warranty	1-Year Full Warranty, Parts & Labor	1-Year Full Warranty, Parts & Labor

Installation Diagram(Unit: inch)



Standard Built-In



Flush Built-In

Toll Free: 888-315-0366
 Address : 6 Campus Dr, Suite 210, Parsippany, NJ 07054
 Website : us.fotileglobal.com
 Email : serviceusa@fotile.com



Wechat Service



YouTube