

# Slant Vent Series Range Hoods

## JQG7505 Spec Sheet

**FOTILE**

A BREATH OF FRESH ENGINEERING®

FOTILE JQG7505 30" Slant Vent Range Hood is both powerful and sleek looking. With versatile mounting options whether under cabinet or wall mount, this powerful certified Range Hood offers superior smoke, grease, and odor extraction due to its unique design, dual DC centrifugal motors, and a 90 degree angle automatic open Capture Shield. The JQG7505 not only offers excellent venting performance, it is also exceptionally quiet so you can have a casual conversation as you are preparing a meal. Best of all, you can operate this range hood using touch free motion gesture control for easy



### Key Features



90° Automatic Open Capture Shield to Prevent Smoke From Spreading



Dual DC Motors for Smoother and Stronger Ventilation



Stir-fry Mode to Provide Instant Powerful Extraction Power



Motion Detection for Hands Free Operation

### Secondary Features

- Extra Wide Smoke Inlet  
Covers 6 ft<sup>2</sup> of Cooking Area (5-6 Burners)
- Auto Delay Shutoff  
Extracts Lingering Odors After Cooking
- Powerful LED Light  
Lights Up Your Cooktop
- Large Oil Collection Cup  
Detachable and Easy to Clean

# Slant Vent Series Range Hoods JQG7505 Spec Sheet

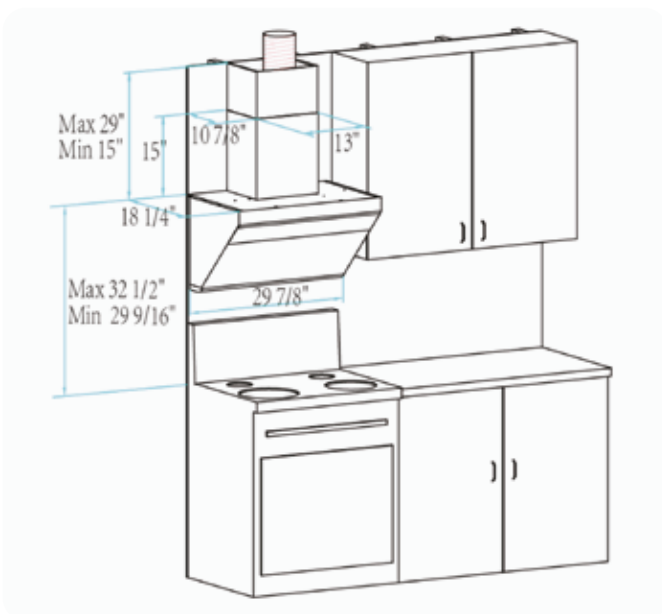
**FOTILE**

A BREATH OF FRESH ENGINEERING®

## Specifications Table

Model	JQG7505
<b>Certification</b>	ETL, HVI
<b>Width(inch)</b>	29 7/8
<b>Installation</b>	Under Cabinet/Wall Mount(Optional Decorative Cover Required)
<b>Max. EQUIV.CFM</b>	1000
<b>Max Static Pressure(Pa)</b>	540
<b>Power Supply(V/Hz)</b>	120/60
<b>Speed Setting</b>	4
<b>Min. Noise Level(dB)</b>	38
<b>Illumination(W)</b>	3W × 2 (LED)
<b>Motor</b>	Dual DC Motors
<b>Operation Type</b>	Touch + Motion
<b>Delay Shutoff</b>	2min
<b>Screen Lock</b>	Y
<b>Grease Filtration Rate</b>	95%
<b>Odor Reduction Rate</b>	98%
<b>Warranty</b>	Labor: 2 Years Parts: 5 Years(Limited) Motors: Lifetime Limited Warranty

## Installation Dimensions



## Installation Examples

