

# Slant Vent Series Range Hoods JQG7501 / JQG7501.G Spec Sheet

**FOTILE**

A BREATH OF FRESH ENGINEERING®

FOTILE JQG7501 and JQG7501.G 30" Slant Vent Range Hoods are powerful and sleek looking. With versatile mounting options whether under cabinet or wall mount, these powerful certified Range Hoods offer superior smoke, grease, and odor extraction due to their unique design, close proximity to the cooktop, and a 90 degree angle automatic open Capture Shield. Best of all, these powerful range hoods not only offer excellent venting performance, they are exceptionally quiet so you can have a casual conversation as you are preparing a meal. Available in Onyx Black Tempered Glass or



**JQG7501**



**JQG7501.G**



## Key Features



90° Automatic Open Capture Shield to Prevent Smoke from Spreading



Slant Vent Design Ensures Close Proximity to Cooking Surface and Smoke



Dual AC Centrifugal Motors for Exhaustive and Strong Ventilation



98% Odor Reduction Rate & 95% Grease Separation Rate

## Secondary Features

- Extra Wide Smoke Inlet  
Covers 6 ft<sup>2</sup> of Cooking Area (5-6 Burners)
- Auto Delay Shutoff  
Extracts Lingering Odors After Cooking
- Powerful LED Light  
Lights Up Your Cooktop
- Large Oil Collection Cup  
Detachable and Easy to Clean

# Slant Vent Series Range Hoods JQG7501 / JQG7501.G Spec Sheet

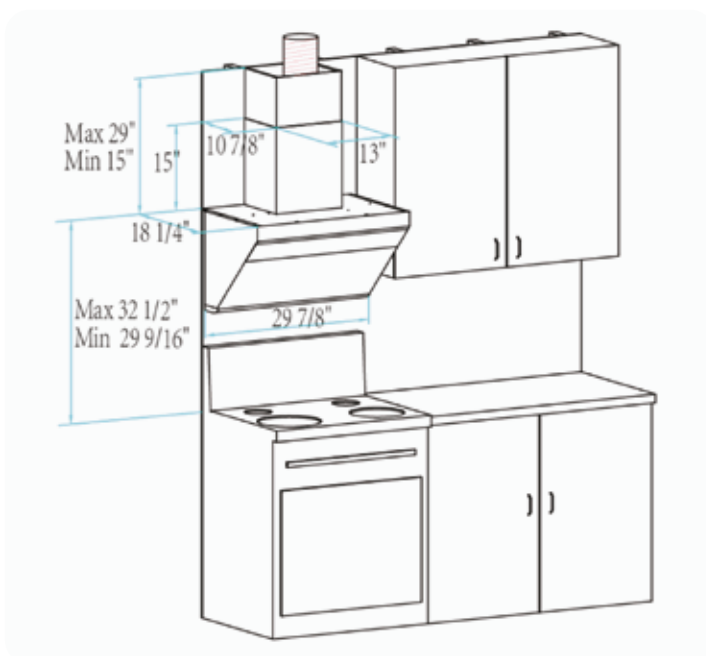
**FOTILE**

A BREATH OF FRESH ENGINEERING®

## Specifications Table

Model	JQG7501 / JQG7501.G
Certification	ETL, HVI
Width(inch)	29 7/8
Installation	Under Cabinet/Wall Mount(Optional Decorative Cover Required)
Max. EQUIV.CFM	850
Max Static Pressure(Pa)	400
Power Supply(V/Hz)	120/60
Speed Setting	3
Min. Noise Level(dB)	39
Illumination(W)	3W × 2 (LED)
Motor	Dual AC Motors
Operation Type	Touch
Delay Shutoff	2min
Screen Lock	Y
Grease Filtration Rate	95%
Odor Reduction Rate	98%
Warranty	Labor: 2 Years Parts: 5 Years(Limited) Motors: Lifetime Limited Warranty

## Installation Dimensions



## Installation Examples

